



ONEM2M TECHNICAL SPECIFICATION

Document Number	TS-0021-V2.0.0
Document Name:	oneM2M and AllJoyn Interworking
Date:	2016-August-30
Abstract:	This document specifies the oneM2M and AllJoyn interworking technologies.

Template Version:23 February 2015 (Dot not modify)

This Specification is provided for future development work within oneM2M only. The Partners accept no liability for any use of this Specification.

The present document has not been subject to any approval process by the oneM2M Partners Type 1. Published oneM2M specifications and reports for implementation should be obtained via the oneM2M Partners' Publications Offices.

Each resource in the figure above shall have the attribute values as follows.

Table C.2.7-1: Attribute values of org.alljoyn.ControlPanel.ListProperty resource

Attribute	Value	Description
<i>resourceType</i>	"28"	Enumeration value for the <i>flexContainer</i> resource type
<i>resourceName</i>	"org.alljoyn.ControlPanel.ListProperty"	AllJoyn interface name
<i>containerDefinition</i>	Value indicating alljoynInterface	AllJoyn interface
<i>version</i>	"1"	Version property value is "1"

Table C.2.7-2: Attribute values of States resource

Attribute	Value	Description
<i>resourceType</i>	"28"	Enumeration value for the <i>flexContainer</i> resource type
<i>resourceName</i>	"States"	"States" property
<i>containerDefinition</i>	Value indicating alljoynProperty	AllJoyn interface property
<i>currentValue</i>	(variable)	Read-only state "enabled"

Table C.2.7-3: Attribute values of OptParams resource

Attribute	Value	Description
<i>resourceType</i>	"28"	Enumeration value for the <i>flexContainer</i> resource type
<i>resourceName</i>	"OptParams"	"OptParams" property
<i>containerDefinition</i>	Value indicating alljoynProperty	AllJoyn interface property
<i>currentValue</i>	(variable)	Read-only "ListProperty" widget metadata

Table C.2.7-4: Attribute values of Value resource

Attribute	Value	Description
<i>resourceType</i>	"28"	Enumeration value for the <i>flexContainer</i> resource type
<i>resourceName</i>	"Value"	"Value" property
<i>containerDefinition</i>	Value indicating alljoynProperty	AllJoyn interface property
<i>currentValue</i>	(variable)	Read-only list of records

Table C.2.7-5: Attribute values of Add resource

Attribute	Value	Description
<i>resourceType</i>	"28"	Enumeration value for the <i>flexContainer</i> resource type
<i>resourceName</i>	"Add"	"Add" method
<i>containerDefinition</i>	Value indicating alljoynMethod	AllJoyn interface method

Table C.2.7-6: Attribute values of call1 resource

Attribute	Value	Description
<i>resourceType</i>	"28"	Enumeration value for the <i>flexContainer</i> resource type
<i>resourceName</i>	(variable)	
<i>containerDefinition</i>	Value indicating alljoynMethodCall	AllJoyn interface method call
<i>callStatus</i>	(variable)	

Table C.2.7-7: Attribute values of Delete resource

Attribute	Value	Description
<i>resourceType</i>	"28"	Enumeration value for the <i>flexContainer</i> resource type
<i>resourceName</i>	"Delete"	"Delete" method
<i>containerDefinition</i>	Value indicating alljoynMethod	AllJoyn interface method

Table C.2.7-8: Attribute values of call2 resource

Attribute	Value	Description
<i>resourceType</i>	"28"	Enumeration value for the <i>flexContainer</i> resource type
<i>resourceName</i>	(variable)	
<i>containerDefinition</i>	Value indicating alljoynMethodCall	AllJoyn interface method call
<i>input</i>	(variable)	recordID
<i>callStatus</i>	(variable)	

Table C.2.7-9: Attribute values of View resource

Attribute	Value	Description
<i>resourceType</i>	"28"	Enumeration value for the <i>flexContainer</i> resource type
<i>resourceName</i>	"View"	"View" method
<i>containerDefinition</i>	Value indicating alljoynMethod	AllJoyn interface method

Table C.2.7-10: Attribute values of call3 resource

Attribute	Value	Description
<i>resourceType</i>	"28"	Enumeration value for the <i>flexContainer</i> resource type
<i>resourceName</i>	(variable)	
<i>containerDefinition</i>	Value indicating alljoynMethodCall	AllJoyn interface method call
<i>input</i>	(variable)	recordID
<i>callStatus</i>	(variable)	

Table C.2.7-11: Attribute values of Update resource

Attribute	Value	Description
<i>resourceType</i>	"28"	Enumeration value for the <i>flexContainer</i> resource type
<i>resourceName</i>	"Update"	"Update" method
<i>containerDefinition</i>	Value indicating alljoynMethod	AllJoyn interface method

Table C.2.7-12: Attribute values of call4 resource

Attribute	Value	Description
<i>resourceType</i>	"28"	Enumeration value for the <i>flexContainer</i> resource type
<i>resourceName</i>	(variable)	
<i>containerDefinition</i>	Value indicating alljoynMethodCall	AllJoyn interface method call
<i>input</i>	(variable)	recordID
<i>callStatus</i>	(variable)	

Table C.2.7-13: Attribute values of Confirm resource

Attribute	Value	Description
<i>resourceType</i>	"28"	Enumeration value for the <i>flexContainer</i> resource type
<i>resourceName</i>	"Confirm"	"Confirm" method

Attribute	Value	Description
<i>containerDefinition</i>	Value indicating alljoynMethod	AllJoyn interface method

Table C.2.7-14: Attribute values of call5 resource

Attribute	Value	Description
<i>resourceType</i>	"28"	Enumeration value for the <i>flexContainer</i> resource type
<i>resourceName</i>	(variable)	
<i>containerDefinition</i>	Value indicating alljoynMethodCall	AllJoyn interface method call
<i>callStatus</i>	(variable)	

Table C.2.7-15: Attribute values of Cancel resource

Attribute	Value	Description
<i>resourceType</i>	"28"	Enumeration value for the <i>flexContainer</i> resource type
<i>resourceName</i>	"Cancel"	"Cancel" method
<i>containerDefinition</i>	Value indicating alljoynMethod	AllJoyn interface method

Table C.2.7-16: Attribute values of call6 resource

Attribute	Value	Description
<i>resourceType</i>	"28"	Enumeration value for the <i>flexContainer</i> resource type
<i>resourceName</i>	(variable)	
<i>containerDefinition</i>	Value indicating alljoynMethodCall	AllJoyn interface method call
<i>callStatus</i>	(variable)	

Table C.2.7-17: Attribute values of ValueChanged resource

Attribute	Value	Description
<i>resourceType</i>	"3"	Enumeration value for the <i>container</i> resource type
<i>resourceName</i>	"Changed"	"ValueChanged" signal
<i>labels</i>	"Iwked-Technology:AllJoyn", "Iwked-Entity-Type:Signal Name"	

Table C.2.7-18: Attribute values of signal1 resource

Attribute	Value	Description
<i>resourceType</i>	"4"	Enumeration value for the <i>contentInstance</i> resource type
<i>content</i>	"ValueChanged"	Notification that the property value is changed

Table C.2.7-19: Attribute values of MetadataChanged resource

Attribute	Value	Description
<i>resourceType</i>	"3"	Enumeration value for the <i>container</i> resource type
<i>resourceName</i>	"Changed"	"MetadataChanged" signal
<i>labels</i>	"Iwked-Technology:AllJoyn", "Iwked-Entity-Type:Signal Name"	

Table C.2.7-20: Attribute values of signal2 resource

Attribute	Value	Description
<i>resourceType</i>	"4"	Enumeration value for the <i>contentInstance</i> resource type
<i>content</i>	"MetadataChanged"	Notification that the metadata is changed

C.3 Configuration service

C.3.1 Config interface

AllJoyn Config(*org.alljoyn.Config*) interface and its members shall be mapped with the following structure.

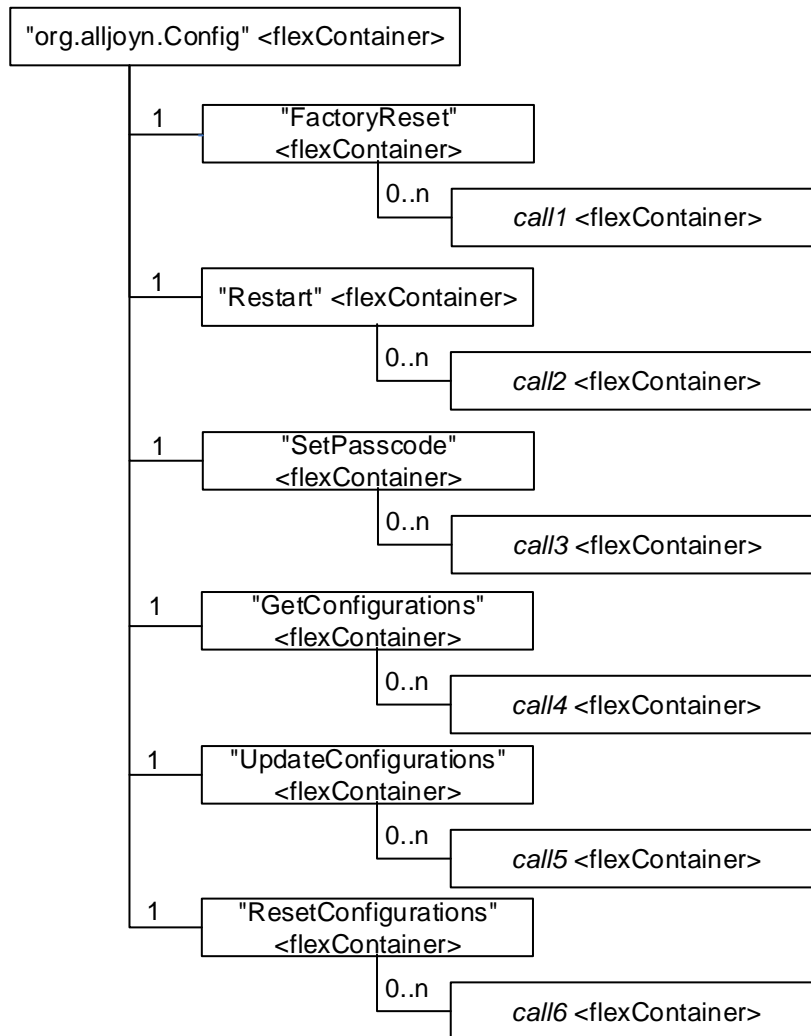


Figure C.3.1-1: Structure of Config interface mapping

Each resource in the figure above shall have the attribute values as follows.

Table C.3.1-1: Attribute values of Config resource

Attribute	Value	Description
<i>resourceType</i>	"28"	Enumeration value for the <i>flexContainer</i> resource type
<i>resourceName</i>	"org.alljoyn.Config"	AllJoyn interface name
<i>containerDefinition</i>	Value indicating alljoynInterface	AllJoyn interface

Attribute	Value	Description
<i>version</i>	"1"	Version property value is "1"

Table C.2.3-2: Attribute values of FactoryReset resource

Attribute	Value	Description
<i>resourceType</i>	"28"	Enumeration value for the <i>flexContainer</i> resource type
<i>resourceName</i>	"FactoryReset"	"FactoryReset" method
<i>containerDefinition</i>	Value indicating alljoynMethod	AllJoyn interface method

Table C.2.3-3: Attribute values of call1 resource

Attribute	Value	Description
<i>resourceType</i>	"28"	Enumeration value for the <i>flexContainer</i> resource type
<i>resourceName</i>	(variable)	
<i>containerDefinition</i>	Value indicating alljoynMethodCall	AllJoyn interface method call
<i>callStatus</i>	(variable)	

Table C.2.3-4: Attribute values of Restart resource

Attribute	Value	Description
<i>resourceType</i>	"28"	Enumeration value for the <i>flexContainer</i> resource type
<i>resourceName</i>	"Restart"	"Restart" method
<i>containerDefinition</i>	Value indicating alljoynMethod	AllJoyn interface method

Table C.2.3-5: Attribute values of call2 resource

Attribute	Value	Description
<i>resourceType</i>	"28"	Enumeration value for the <i>flexContainer</i> resource type
<i>resourceName</i>	(variable)	
<i>containerDefinition</i>	Value indicating alljoynMethodCall	AllJoyn interface method call
<i>callStatus</i>	(variable)	

Table C.2.3-6: Attribute values of SetPasscode resource

Attribute	Value	Description
<i>resourceType</i>	"28"	Enumeration value for the <i>flexContainer</i> resource type
<i>resourceName</i>	"SetPasscode"	"SetPasscode" method
<i>containerDefinition</i>	Value indicating alljoynMethod	AllJoyn interface method

Table C.2.3-7: Attribute values of call3 resource

Attribute	Value	Description
<i>resourceType</i>	"28"	Enumeration value for the <i>flexContainer</i> resource type
<i>resourceName</i>	(variable)	
<i>containerDefinition</i>	Value indicating alljoynMethodCall	AllJoyn interface method call
<i>input</i>	(variable)	"daeonRealm" and "newPasscode" parameter
<i>callStatus</i>	(variable)	

Table C.2.3-8: Attribute values of GetConfigurations resource

Attribute	Value	Description
resourceType	"28"	Enumeration value for the <i>flexContainer</i> resource type
resourceName	"GetConfigurations"	"GetConfigurations" method
containerDefinition	Value indicating alljoynMethod	AllJoyn interface method

Table C.2.3-9: Attribute values of call4 resource

Attribute	Value	Description
resourceType	"28"	Enumeration value for the <i>flexContainer</i> resource type
resourceName	(variable)	
containerDefinition	Value indicating alljoynMethodCall	AllJoyn interface method call
input	(variable)	"languageTag" parameter
callStatus	(variable)	

Table C.2.3-10: Attribute values of UpdateConfigurations resource

Attribute	Value	Description
resourceType	"28"	Enumeration value for the <i>flexContainer</i> resource type
resourceName	"UpdateConfigurations"	"UpdateConfigurations" method
containerDefinition	Value indicating alljoynMethod	AllJoyn interface method

Table C.2.3-11: Attribute values of call5 resource

Attribute	Value	Description
resourceType	"28"	Enumeration value for the <i>flexContainer</i> resource type
resourceName	(variable)	
containerDefinition	Value indicating alljoynMethodCall	AllJoyn interface method call
input	(variable)	"languageTag" and "configMap" parameter
callStatus	(variable)	

Table C.2.3-12: Attribute values of ResetConfigurations resource

Attribute	Value	Description
resourceType	"28"	Enumeration value for the <i>flexContainer</i> resource type
resourceName	"ResetConfigurations"	"ResetConfigurations" method
containerDefinition	Value indicating alljoynMethod	AllJoyn interface method

Table C.2.3-13: Attribute values of call6 resource

Attribute	Value	Description
resourceType	"28"	Enumeration value for the <i>flexContainer</i> resource type
resourceName	(variable)	
containerDefinition	Value indicating alljoynMethodCall	AllJoyn interface method call
input	(variable)	"languageTag" and "fieldList" parameter
callStatus	(variable)	

History

Publication history		
V2.0.0	30 Aug 2016	Release 2 - Publication